



STAINLESS STEEL DOMESTIC WATER HEATER

STAINLESS STEEL DOMESTIC WATER HEATER

VERSO THERM-STI EC

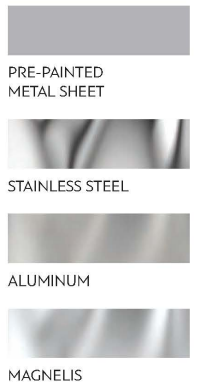
For Central Heating Systems



AVAILABLE EXTERNAL SHELL COLOURS (FOR SOFT PVC)



AVAILABLE EXTERNAL SHELL MATERIALS



AVAILABLE INNER TANK & COIL MATERIALS

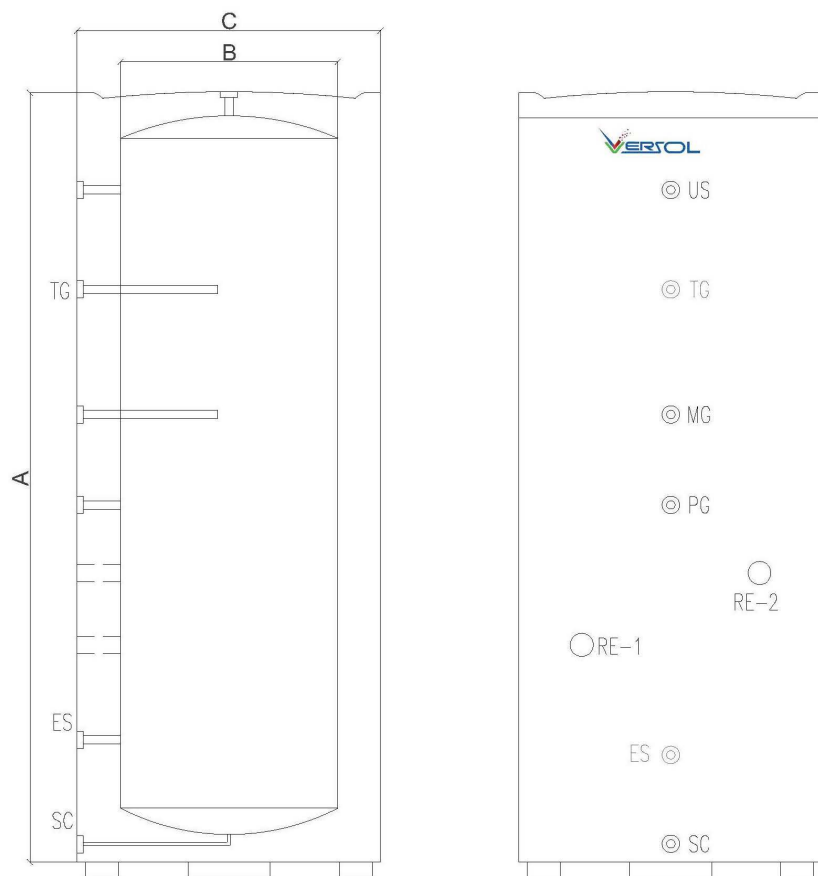


TECHNICAL SPECIFICATIONS

- Available in SS304, SS316L, SS316Ti, Duplex Steel.
- Insulation 50-100 mm Rockwool/ Polyurethane
- Cladding Aluminum Stucco/Painted Gi
- Heat Exchanger Optional (Spiral Tube SS/Plain Tube SS/Flat tube SS)
- Electrical Heating Optional (2-10 Kw based on Requirement)

CERTIFICATIONS





Model	Internal Diameter (mm)(B)	Insulation Thickness (mm)	Outer Diameter (mm)(C)	Total Height (mm) (A)
STI -EC 100 L	400	100	500	1000
STI -EC 200 L	440	100	540	1500
STI -EC 300 L	540	100	640	1500
STI -EC 400 L	620	100	720	1500
STI -EC 500 L	660	100	760	1600

STAINLESS STEEL DOMESTIC WATER HEATER

VERSO THERM-STI SPIRA

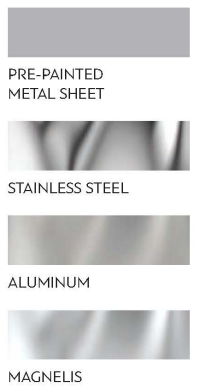
For Solar & Heat Pump



AVAILABLE EXTERNAL SHELL COLOURS (FOR SOFT PVC)



AVAILABLE EXTERNAL SHELL MATERIALS



AVAILABLE INNER TANK & COIL MATERIALS

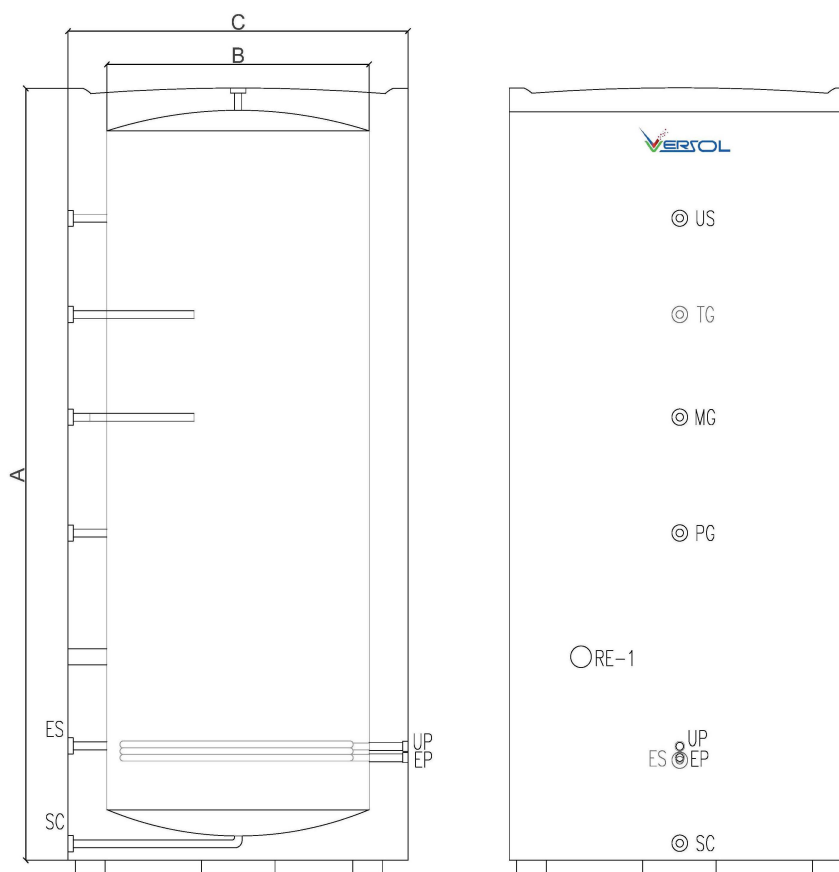


TECHNICAL SPECIFICATIONS

- Available in SS304, SS316L, SS316Ti, Duplex Steel.
- Insulation 50-100 mm Rockwool/ Polyurethane
- Cladding Aluminum Stucco/Painted Gi
- Heat Exchanger Optional (Spiral Tube SS/Plain Tube SS/Flat tube SS)
- Electrical Heating Optional (1.2-5 Kw based on Requirement)

CERTIFICATIONS





Model	Internal Diameter (mm)(B)	Insulation Thickness (mm)	Outer Diameter (mm)(C)	Total Height (mm) (A)
STI -SPIRA 100 L	400	160	560	1000
STI -SPIRA 200 L	440	160	600	1520
STI -SPIRA 300 L	540	160	700	1520
STI -SPIRA 400 L	620	160	780	1520
STI -SPIRA 500 L	660	160	820	1620

Water Heating & Cooling Solutions

Solar Water Heaters

Heat changers

Storage Calorifiers

Heat Pump

Hot Water Boilers

Gas Fired Calorifiers

Electric Calorifiers

Steam Boilers



 Corporate offices

 Sales offices

Versol Poland | Versol Italy | Versol UK | Versol USA | Versol Middle East | Versol Australia | Versol Canada | Versol India